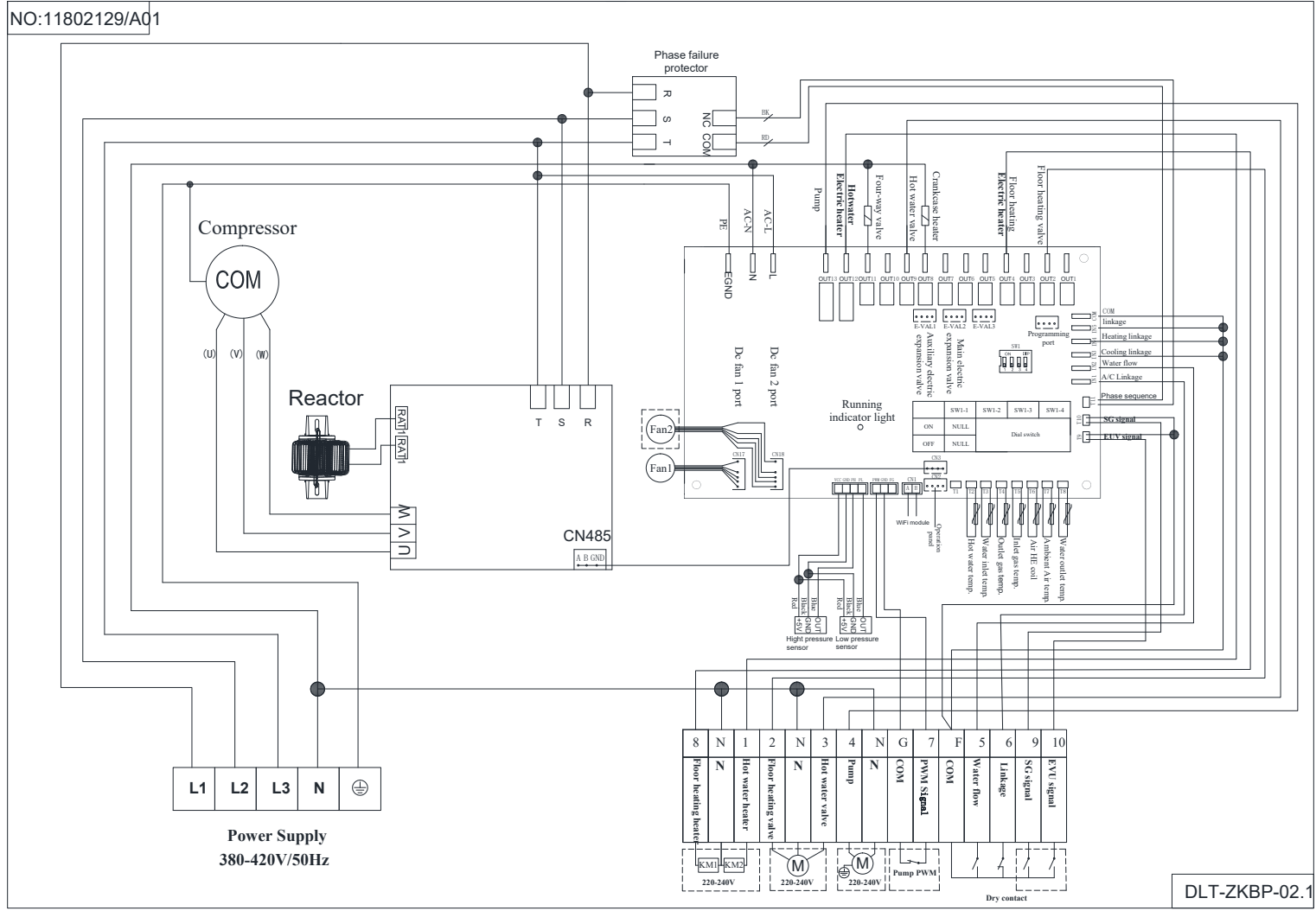


NO:11802129/A01



Voltage:380V-420V/3N~/50Hz

For CGK-025V3L-B、CGK-030V3L-B、CGK-040V3L-B、CGK-050V3L-B、CGK-060V3L-B